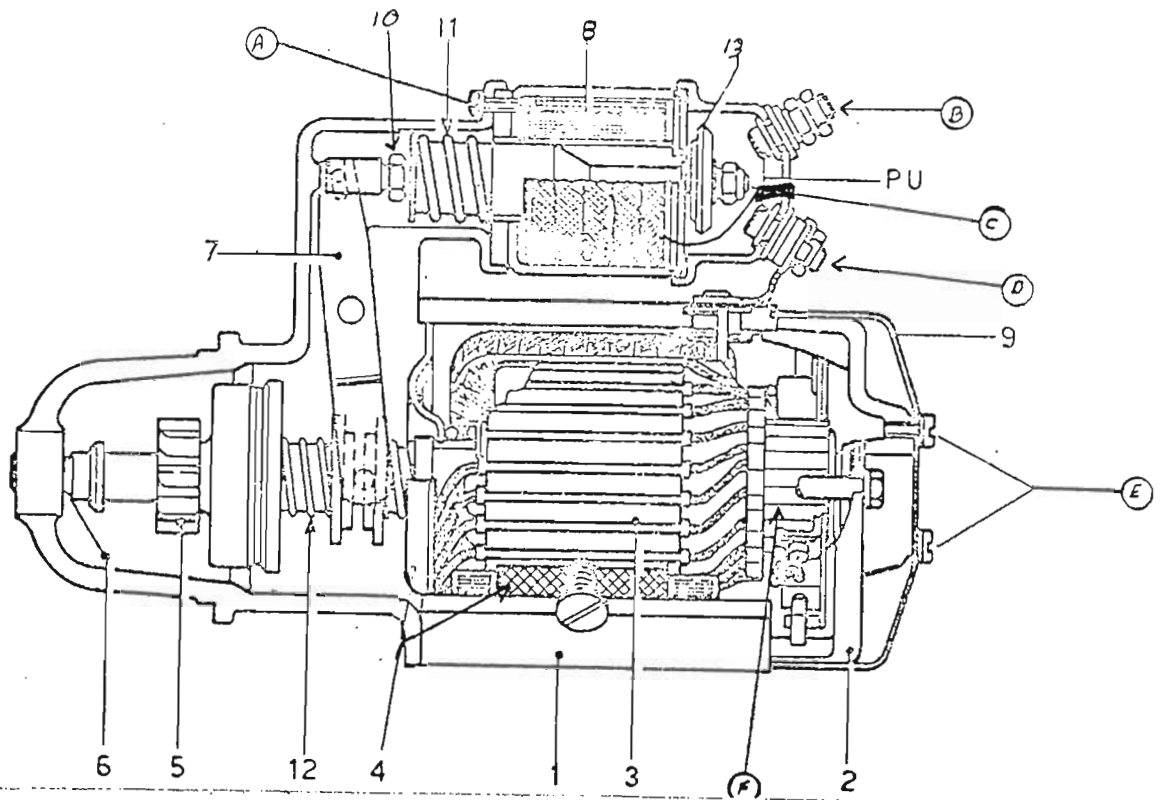


1.11. RIFF 26

STARTER MOTOR

DESCRIPTION: Magneti Marelli 12 Volt Cranking Motor MT Series.



- A - Solenoid Mounting through Bolts
- B - Battery Positive Cable
- C - Ignition Switch Start Terminal
- D - Solenoid to Starter Motor Terminal
- E - End Cover Securing Screws
- F - Commutator

- 1 - Case or Frame
- 2 - Rear Bearing Support
- 3 - Armature
- 4 - Field Winding
- 5 - Drive Gear
- 6 - Front Bearing
- 7 - Actuating Link
- 8 - Solenoid Coil
- 9 - End Cover
- 10 - Stroke Adjustment
- 11 - Solenoid Disengagement Spring
- 12 - Starter Disengagement Spring
- 13 - Solenoid Contactor

- PU - Fixed Contacts

RIFF-26